

Product Data Sheet Metco 2W Wire Control Unit

The Metco™ 2W is a sturdy wire control and straightener unit essential for top-speed performance and accurate spraying results

The Metco 2W Wire Control Unit is designed to hold a standard wire coil, straighten it as it uncoils, and feed it to the gun under controlled tension. For proper wire combustion spraying, the wire must extend straight from the gun nozzle and remain centered in the flame. Yet, the typical wire material is packaged such that the wire retains a “set” or curvature as it uncoils.

The efficient straightening action of the 2W assures fast spraying speeds and prevents wear on gears, wire nozzles, and wire guides. The Metco 2W Wire Control Unit is equipped with solid ball bearing rollers that are lifetime greased-packed and sealed. The Metco 2W takes wire from the reel in the proper direction and removes curvature from any wire type, size and degree of stiffness. Efficient straightening means faster spraying speeds and less damage to the gun parts.

1 General Description

The Metco 2W is easy to handle:

- A strong, rugged brake spring adjusts over a wide range of tensions.
- Straightening action is controlled with an easy-to-use clamp handle.
- An efficient outer hoop keeps wire on the arms; it cannot ride off, get tangled or hooked.
- Construction is all metal. Tough tripod legs of heavy steel tubing prevents tipping.

2 Features and Benefits

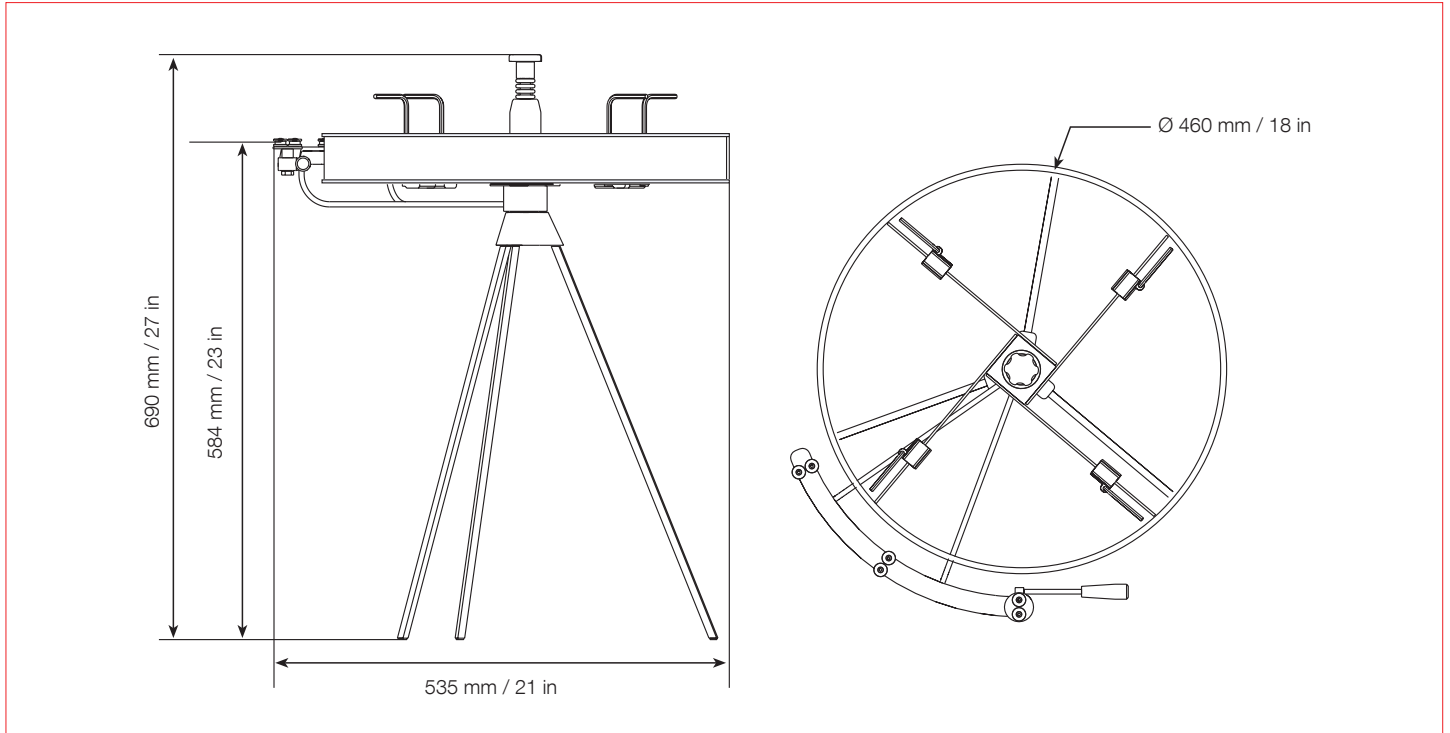
- Guarantees fastest spraying speeds using all types of wire.
- Removes curvature from any type of wire, any size, and any degree of hardness.
- Reduces wear of the gears, nozzle, and wire guide of the flame spray gun.
- Optimizes spraying performance by straightening the wire as it uncoils.
- Rugged design – built for long service life with limited maintenance.
- Simple operation – requires minimal operator training.



2W Wire Control Unit

3 Technical Data

3.1 Dimensions



3.2 Specifications

Wire Spool Capacity

Inside diameter	200 mm	minimum	8 in	minimum
Outside diameter	735 mm	maximum	29 in	maximum

Wire Spool Weight Capacity

	25 kg		50 lb	
--	-------	--	-------	--

Information is subject to change without prior notice.