

Product Data Sheet Roadrunner Mobile Flame Spray System

The only mobile combustion flame spray system that's all-terrain! Take the many advantages of combustion wire or combustion powder flame spray, put it on wheels and discover exciting new possibilities. Maintenance and repair coating projects that were previously impossible, or impractical to perform without costly and cumbersome staging are now within your grasp.

Roadrunner™ is ready for duty — anywhere, anytime. Roadrunner is a complete, transportable, self-contained coating system that can be configured for either the combustion powder Thermospray™ process or the combustion wire spray process. It is built from proven Oerlikon Metco components, including the 5P-II combustion powder spray gun or the world leading 16E combustion wire spray gun. Designed for heavy duty work, Roadrunner is built for use in remote locations, as well as in-shop.

It's easy to put Roadrunner profitably to work. Simply connect your customer-supplied gas bottles and air compressor to the Roadrunner and you're set to take on any job where costly field staging or transport back to a fixed workshop is simply not an economical option. Imagine the savings to your customers when you add the capability to perform maintenance and repairs on-site. Or consider how applying a new finish to a piece of operating equipment in the field dramatically reduces downtime.

Roadrunner is compact: with a cart weight of 125 kg (275 lb) and a wire flame spray set-up size of approximately 175 cm (69 in) wide, it goes into spaces inaccessible to other equipment. Roadrunner is the only inexpensive mobile flame spray solution that lets you travel the road to new opportunities.



Roadrunner Cart
(For Use with an Existing 16E or 5P-II
Spray System)



Roadrunner
Mobile Combustion Wire Flame Spray System
(with Metco 16E Gun)



Roadrunner
Mobile Combustion Powder Flame Spray System
(with Metco 5P-II Gun)

Note: Units are shown with customer-supplied oxygen and fuel gas bottles.

1 General Description

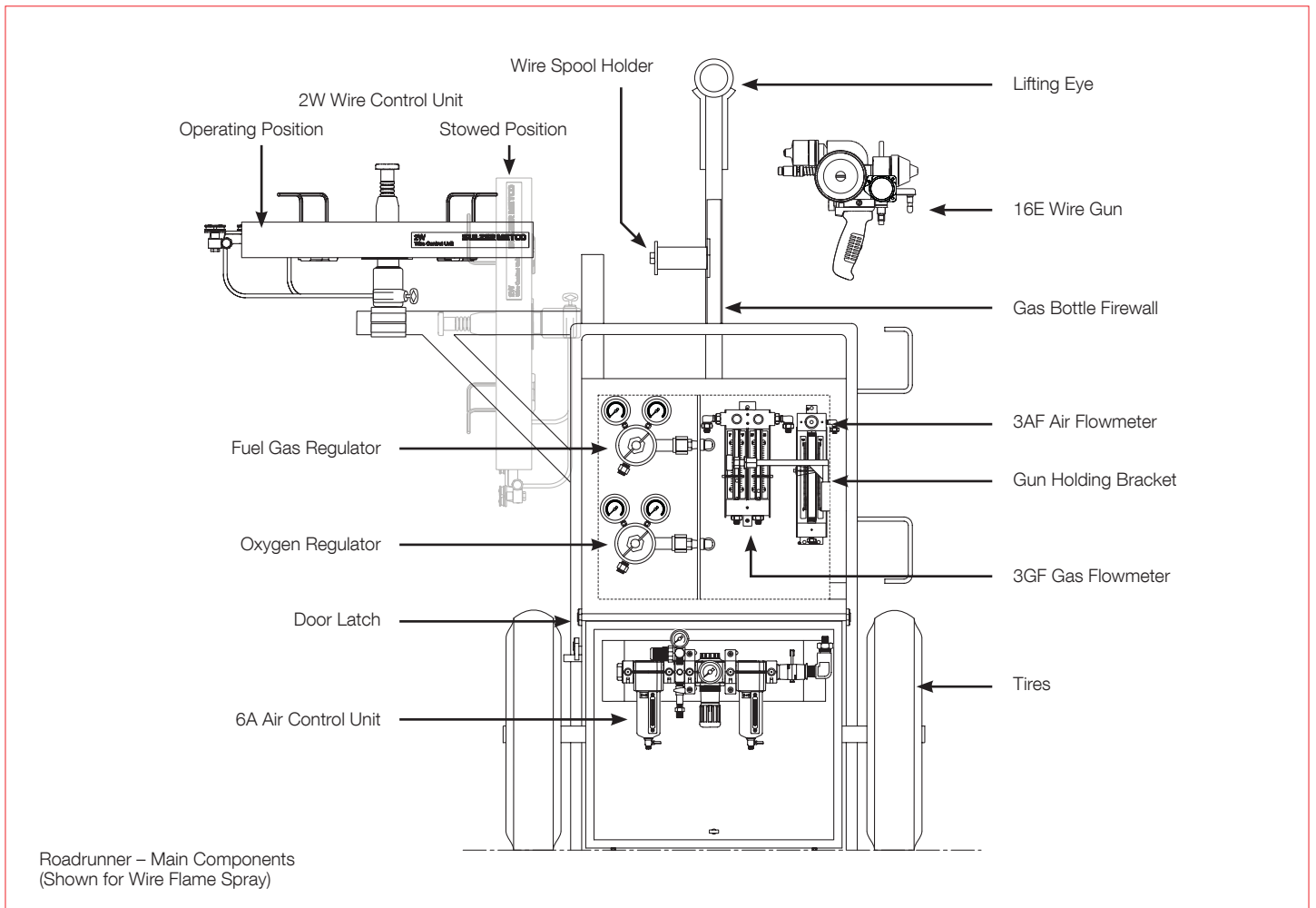
Roadrunner can be purchased as a complete flame spray system configured for either wire or powder flame spray. Roadrunner comes equipped with all flame spray equipment, including air and gas flowmeters, regulators (supplied with non-CE units only), air control unit and spray gun, all of which are mounted or stored (in the case of the spray gun), in a front panel cabinet. In addition, all hoses are supplied. A gun bracket holds the spray gun for lighting or when not in use. It has been designed to accommodate the Metco 16E Wire Spray Gun Safety Handle.

A rack on the back of the unit holds two large, customer-supplied gas bottles for oxygen and fuel gas and includes a firewall between the bottles and retaining brackets for safety and stability.

Wire flame spray units include the 2W Wire Control Unit, which folds away when not in use for easy storage and transport. In addition, there is a wire spool holder on the side of the central post designed to hold plastic wire spools.

The cart has a stable base and comes equipped with large tires that allow the unit to be easily transported around the shop or site. A lifting eye at the top of the cart allows the complete unit to be hoisted up to scaffolding, or easily lifted onto a transport vehicle.

Customers who already own a 16E or 5P-II spray system can purchase the Roadrunner RR51856 cart, which is prepared for mounting of the customer's existing spray equipment.



1.1 Roadrunner Configurations

For more information about the components listed in this table, please refer to the applicable product datasheet for that component.

Included Components	Roadrunner for Wire Flame Spray		Roadrunner for Powder Flame Spray	Roadrunner Cart
Roadrunner Cart	RR51856		RR51856	RR51856
Spray Gun	Choice of 16E: 16E-H: 16E-P: 16E-HT:	acetylene, hard wires acetylene, soft wires propane, hard wires high throughput, propane/propylene, soft wires	5P-II with 5PVA Air Vibrator	N/A
Wire Control ^a	2W Wire Control Unit		N/A	N/A
Flowmeters and Control Units	3AF Air Flowmeter 3GF Gas Flowmeter 6A Air Control Unit		3GF Gas Flowmeter 6A Air Control Unit	N/A
Gas Regulators (non-CE only) ^b				
Standard Roadrunner Models	3GRO: Choice of 3GRA: 3GRP:	oxygen acetylene propane, propylene	3GRO: oxygen 3GRA: acetylene	N/A
Roadrunner 16E-HT Model	2DJRO: 2DJRP	oxygen propane, propylene	N/A	N/A
Hose Packages: non CE				
Flowmeter to Gun	Choice of 7H: 6H:	10.6 m (35 ft) 4.6 m (15 ft)	Choice of: 14H: 10.6 m (35 ft) 12H: 4.6 m (15 ft)	N/A
16E-HT Hose Extension Kit ^c	DJF10CTO DJF20CTO PB30CTO-XX 14E90183 14E94547 DJ82 DJ81	fuel gas hose oxygen hose air hose adapters (2) for air and oxygen hoses adapter (1) for fuel hose oxygen flashback arrestor fuel gas flashback arrestor	N/A	N/A
Regulator to Flowmeter	8H:	1.2 m (4 ft)	8H: 1.2 m (4 ft)	N/A
Hose Packages: CE Conformant				
Flowmeter to Gun	Choice of 7HEX: 6HEX:	10.6 m (35 ft) 4.6 m (15 ft)	Choice of: 14HEX: 10.6 m (35 ft) 12HEX: 4.6 m (15 ft)	N/A
16E-HT Hose Extension Kit ^c	11HEX51292CTO-XX 11HEX51287CTO-XX PB30CTO-XX 14E90183 14E94547 DJ82 DJ81	fuel gas hose oxygen hose air hose adapters (2) for air and oxygen hoses adapter (1) for fuel hose oxygen flashback arrestor fuel gas flashback arrestor	N/A	N/A
Regulator to Flowmeter	8HEX: 1.2 m (4 ft)		8HEX: 1.2 m (4 ft)	N/A

^a Shipped with standard, stationary tripod for 2W Wire Control Unit. The tripod is not needed to mount the 2W onto the Roadrunner cart.

^b Gas regulators for CE-Conformance are required to meet local requirements.

^c Extends hose lengths for 16E-HT High Throughput Wire Flame Spray Unit only. These hoses can be ordered in any length up to a maximum of 38 m (125 ft). Fuel gas and oxygen extension hoses connect from the flowmeter to the 7H or 7HEX hoses using the specified adapters.

2 Features and Benefits

Effective

- Uses proven technology, packaged in a compact, mobile configuration.
- Easily transport all combustion flame equipment in-house or on-site using the sturdy cart.
- Protective metal storage cabinet stores gun and provides easy access to regulators and flowmeters.
- Cabinet door can remain open for easy viewing during spray operations.
- Wire holder folds away for easy transport and storage.
- Gun holding bracket accommodates 16E safety handle or 5P-II.

Efficient

- Rugged, compact cart is built for long service life.
- Large, heavy duty tires for easy movement.

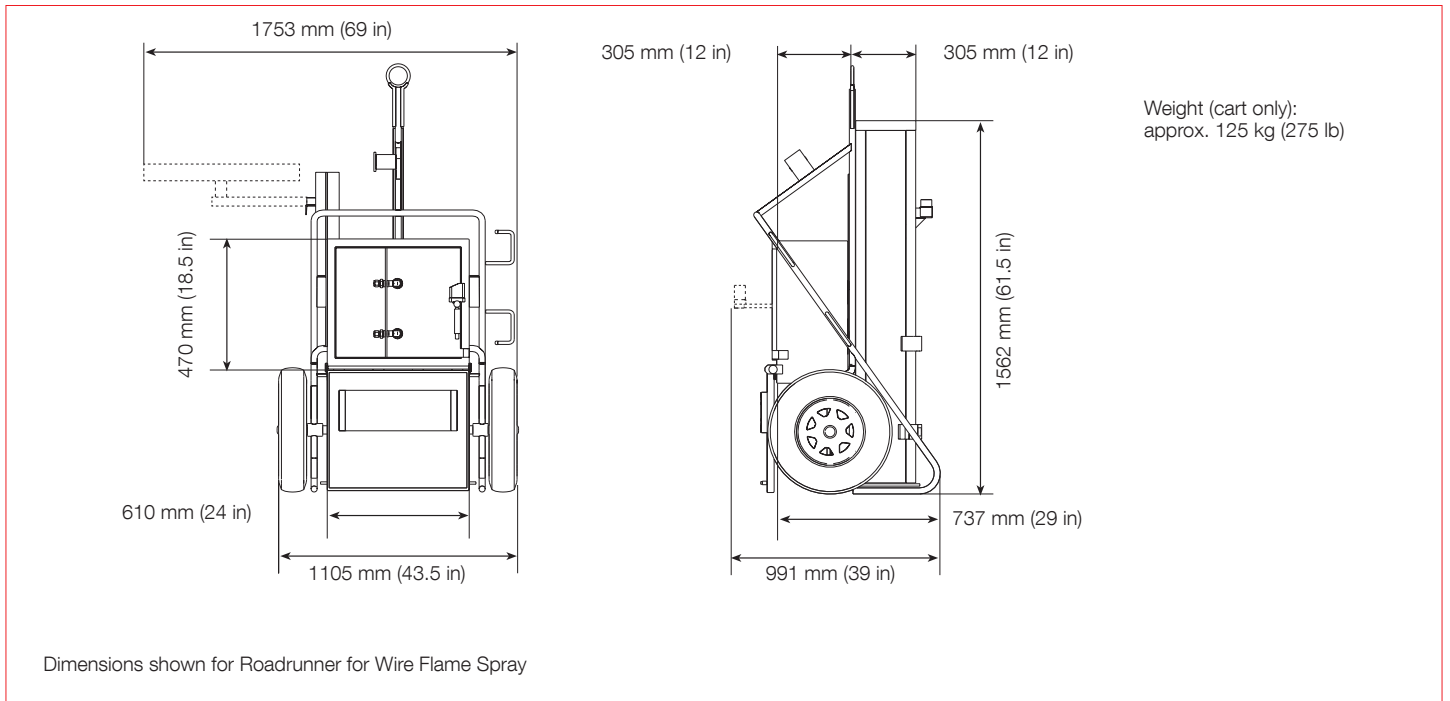
Economical

- Cart requires no maintenance.
- Provides an inexpensive mobile flame-spray solution with rapid deployment capability.

Environmental

- Large base plate and restraints securely hold gas bottles on the back of the cart.
- A firewall between bottles provides an extra margin of safety.
- Cart is stable with or without gas bottles.

3 Technical Data



Information is subject to change without prior notice.